

Needles: 4, 6.5

Size: 110

Gauge: 28 sts 40 rws per 10cm

Estimated Ydg: 2366

Back

With rib needle, cast on 167 sts.
 Estab rib pat on Row 1: *K1 ,
 P1. Repeat from *. End K1.
 Work 27 rws. On row 28,
 increase as below. [6.25 cm].

Rib-to-Body Inc Row

[Work 83, inc 1 in next st] 1x,
 work 83. (168 sts)

With body needle, work in pat st
 until piece meas 46.3"[row 160].

Armhole Shaping

Bind off 8 sts at beg of next 2
 rws. Dec 1 st each side, every
 other row 7x.

Cont in pat st until piece meas
 74.3 cm from start [row 272].

Shape Shoulders

Bind off 14 sts beg of next 2
 rws. Bind off 15 sts beg of next
 2 rws. Bind off 15 sts beg of
 next 2 rws. Bind off 50 back
 neck sts.

Front

Work as for back, including
 all shaping,

and, at the same time
 when piece meas 49.5 cm [row
 172]

Begin Neck Shaping

Work to center, attach another
 ball of yarn and complete
 row. Turn. Work both sides at
 once.

Dec 1 st at each neck edge
 every 2nd rw 3x, then every 4th
 rw 22x.

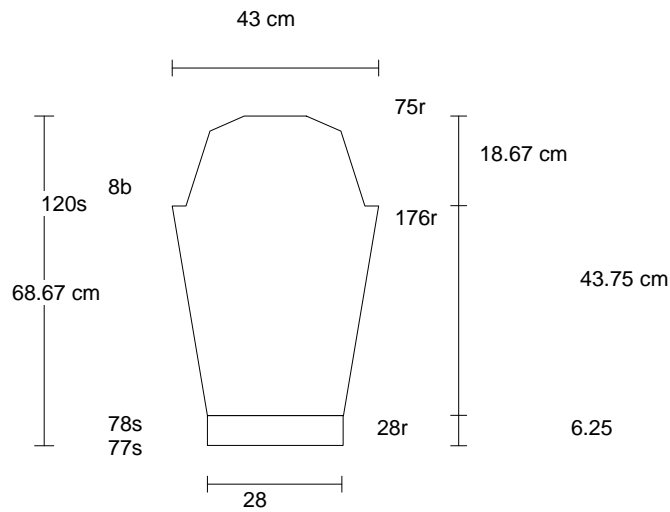
Cont in pat st until piece meas
 74.3 cm from start [row 272].

Shape Shoulders

Work shoulder shaping (at
 shoulder edge) to correspond
 with back.

Work sleeves. (pg 2)

Continued on page 2.



Sleeves

With smaller needles, cast on 77 sts.

Work same as body rib for 27 rws [6.25 cm]. On the next rib rw:

Cuff-to-Sleeve-Inc Row
[Work 38, inc 1 in next st] 1x, work 38.

Sleeve Shaping

Using larger needle, work one RS row. Begin sleeve shaping: Inc 1 st on each side every 8th rw 19x, then every 10th rw 2x.

Cont in pat st until piece meas 50 cm [row 176].

Cap Shaping

Bind off 8 sts each side.
Dec 1 st each side, every other row, 7x
Dec 1 st each side every 3rd rw 19x. Dec 1 st each side every 4th rw 1x.
Bind off 6 sts at the beg of next 4 rws.
Bind off rem 26 sts.

Join seams.

Weave in all ends.

Seam each shoulder. (44 sts)

Standard Neck Finishing

With smaller circular or dp needle and RS facing, pick up 50 sts from back neck, pick up 74 sts from left neck edge, place center marker, M1 st in center, pick up 74 sts from right neck edge, place end of round marker. (199 sts)

Rnd1: work in k1, p1 ribbing to within 2 sts of center marker, ssk, pm, k1, k2tog, work in k1, p1 ribbing to end of round.

Rnd2: work in estab ribbing to within 2 sts of center marker, ssk, pm, k1, k2tog, work in estab ribbing to end of round. Repeat rnd 2 for approx. 2.5 cm. Bind off loosely in ribbing.